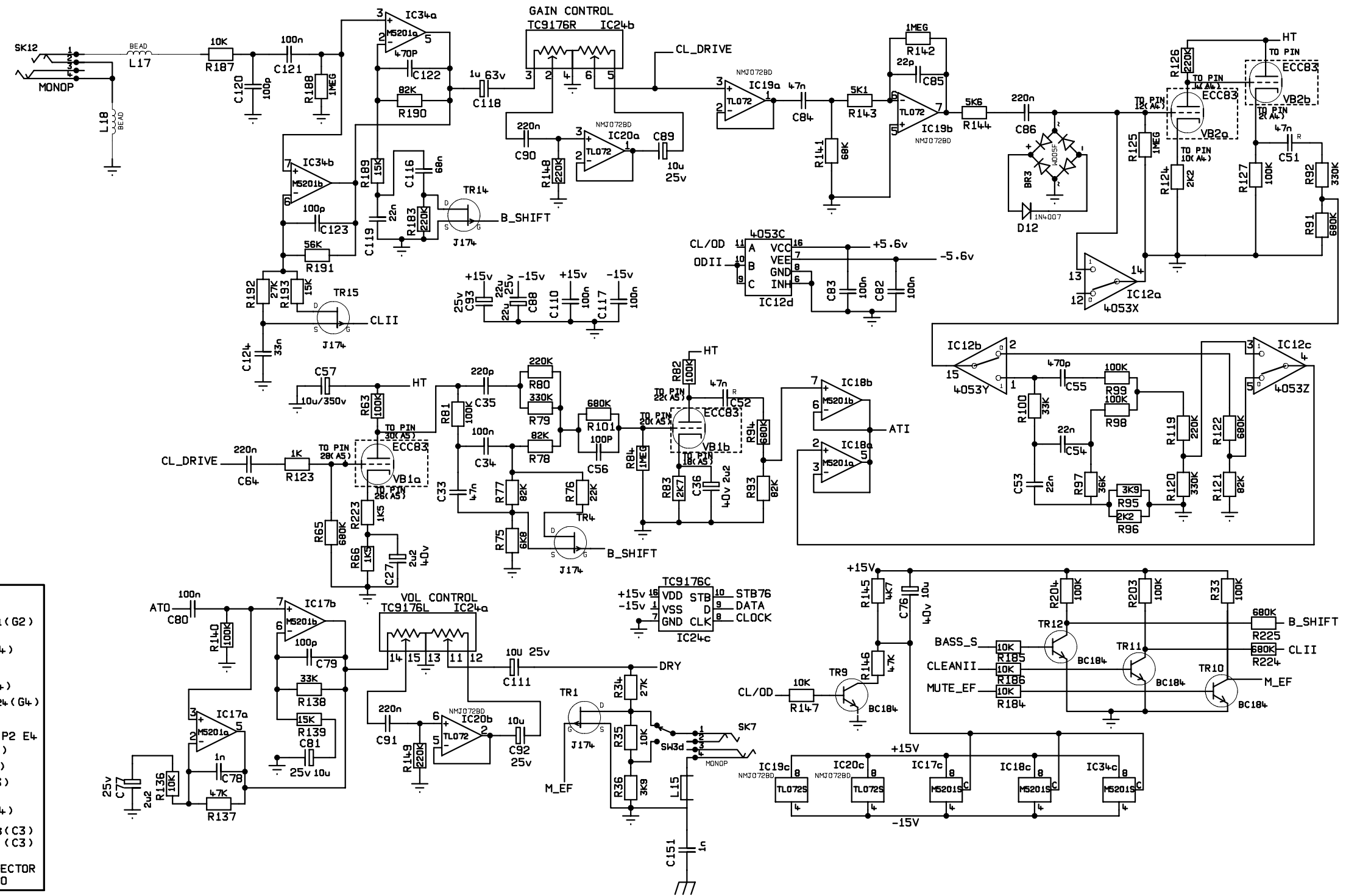
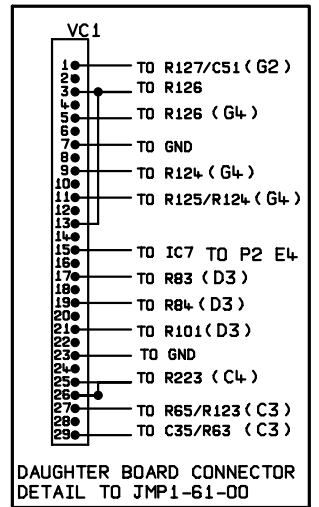


DWG.No. JMP1-61-04

THIRD ANGLE PROJECTION

Peer JMP1_PS.DGM
Peer JMP1_AT.DGM
Peer JMP1_OUT.DGM
Peer JMP1_DIG.DGM
Peer JMP1_FP.DGM



ATO TO P3 G1
DRY TO P4 C3
CL/OD TO P1 E3
HT TO P1 C3
ATI TO P1 E3
BASS_S
CLEAN II } TO P5 E3
MUTE_EF }

10	2036	21/12/01	A	UNSPECIFIED HOLE DATA	
9	1085	04/01/96	B	H	J
8	0829	28/6/95	C	K	L
7	0655	20/12/94	D	M	N
6	0656	09/06/94	E	P	
5	0563	21/2/94	F		
ISS	ECO NUMBER	DATE	G		

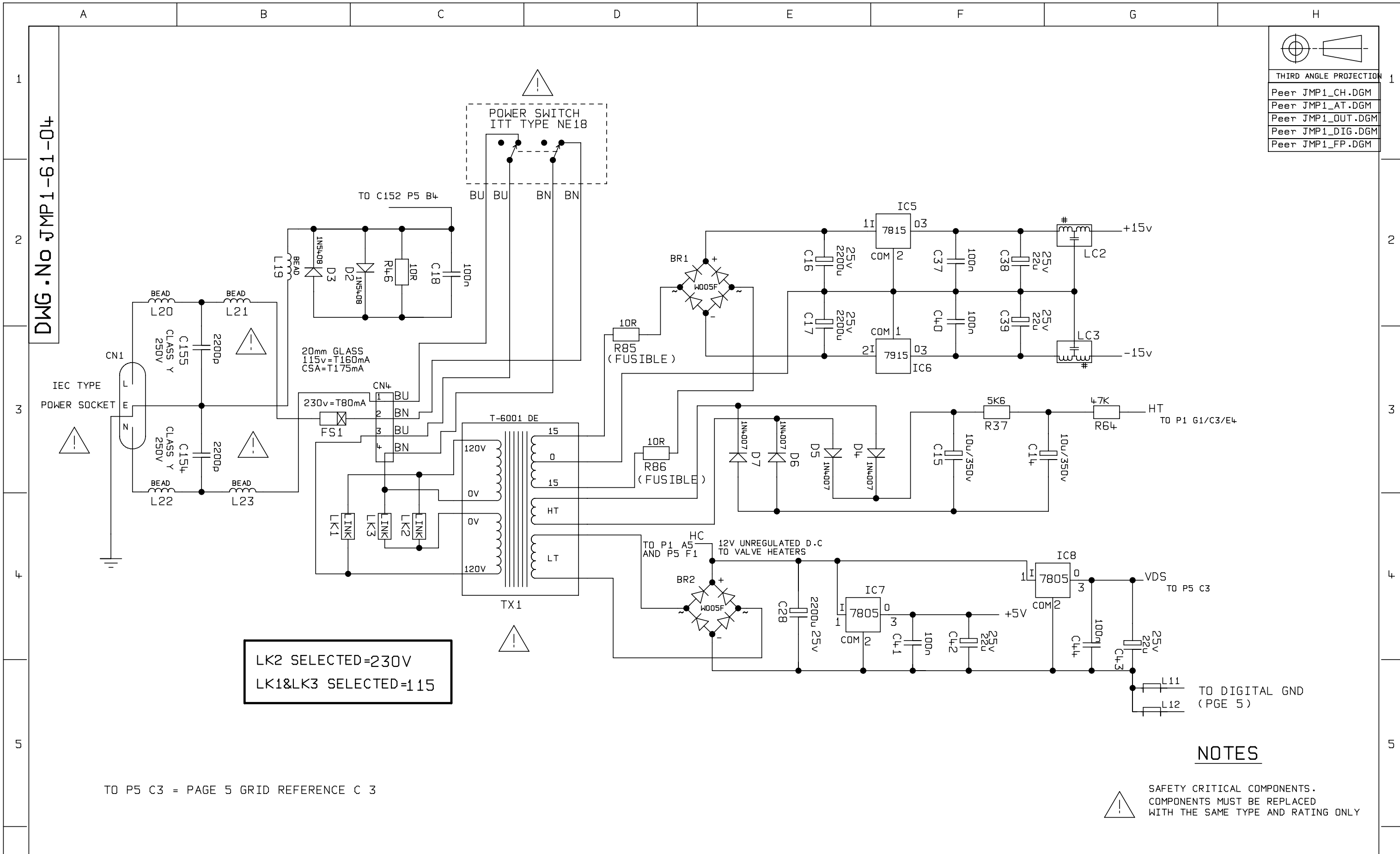
MATERIAL		DIMENSIONS IN	
MATERIAL THICKNESS		TOLERANCE (UNLESS OTHERWISE STATED)	
INTERNAL BEND RADIUS		DIMENSIONAL	
EXTERNAL B/A		CENTRES	
BEND DIE		ANGULAR	
DRAWN T.F	DATE 08/04/92	MODEL	JMP1
CHECKED	DATE		
APPROVED	DATE		

Marshall

COPYRIGHT EXISTS ON THIS DOCUMENT. IT MUST NOT BE USED FOR ANY PURPOSE THAN THAT FOR WHICH IT IS SUPPLIED AND MUST NOT BE COPIED (IN WHOLE OR IN PART) WITHOUT WRITTEN PERMISSION FROM

© JIM MARSHALL (PRODUCTS) LTD.
DENBIGH ROAD, BLETCHLEY, MILTON KEYNES, MK1 1DQ.
TEL (0508)375411 FAX (0508)376118

TITLE	
CHANNEL CCT	
1 OF 6	A2
DWG.No	ISSUE
JMP1-61-04	10



LK2 SELECTED=230V
LK1&LK3 SELECTED=115

UNSPECIFIED HOLE DATA			MATERIAL		DIMENSIONS IN		<p>COPYRIGHT EXISTS ON THIS DOCUMENT. IT MUST NOT BE USED FOR ANY PURPOSE THAN THAT FOR WHICH IT IS SUPPLIED AND MUST NOT BE REPRODUCED OR IN PART) WITHOUT WRITTEN PERMISSION FROM</p> <p>© JIM MARSHALL (PRODUCTS) LTD. DENBIGH ROAD, BLETCHLEY, MILTON KEYNES, MK1 10G. TEL (0508)375411 FAX (0508)376118</p>	TITLE	
			MATERIAL THICKNESS		TOLERANCE (UNLESS OTHERWISE STATED)			PSU CCT	
			INTERNAL BEND RADII		DIMENSIONAL			2 OF 6	
			EXTERNAL B/A		CENTRES			A3	
			BEND DIE		ANGULAR			ISSUE	
			DRAWN T.F		DATE 07/04/92		JMP1		
			CHECKED		DATE		DWG.No		
			APPROVED		DATE		JMP1-61-04		
							10		

DWG.No. JMP1-61-04

THIRD ANGLE PROJECTION

Peer JMP1_CH.DGM

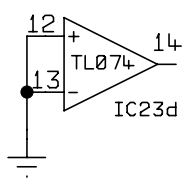
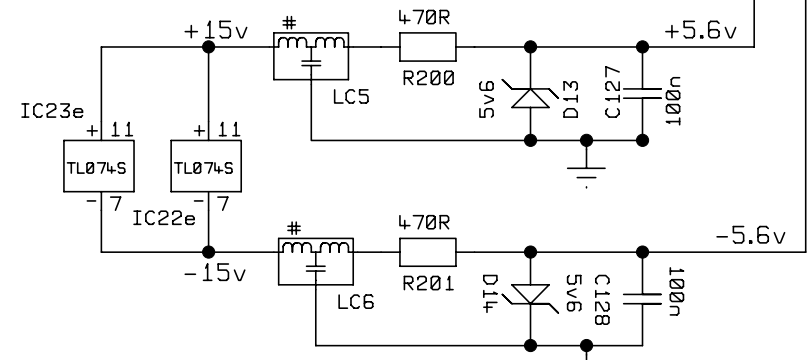
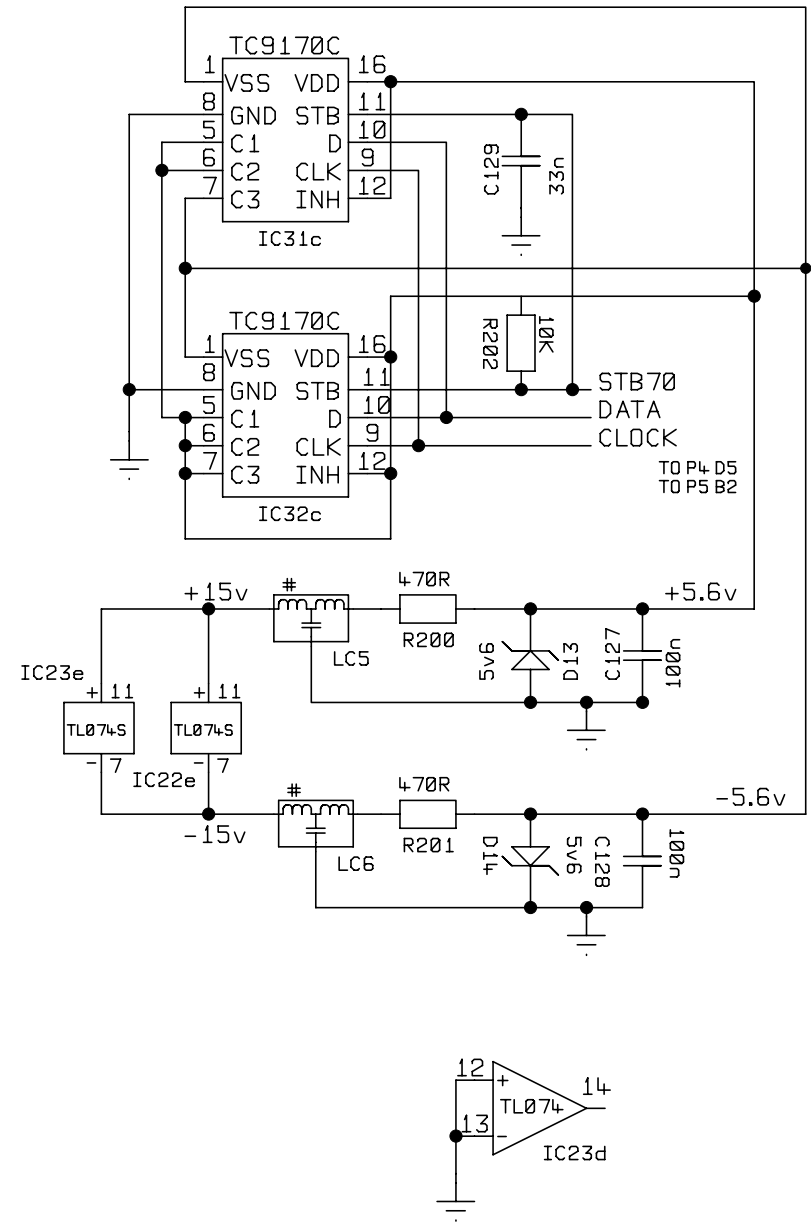
Peer JMP1_PS.DGM

Peer JMP1_AT.DGM

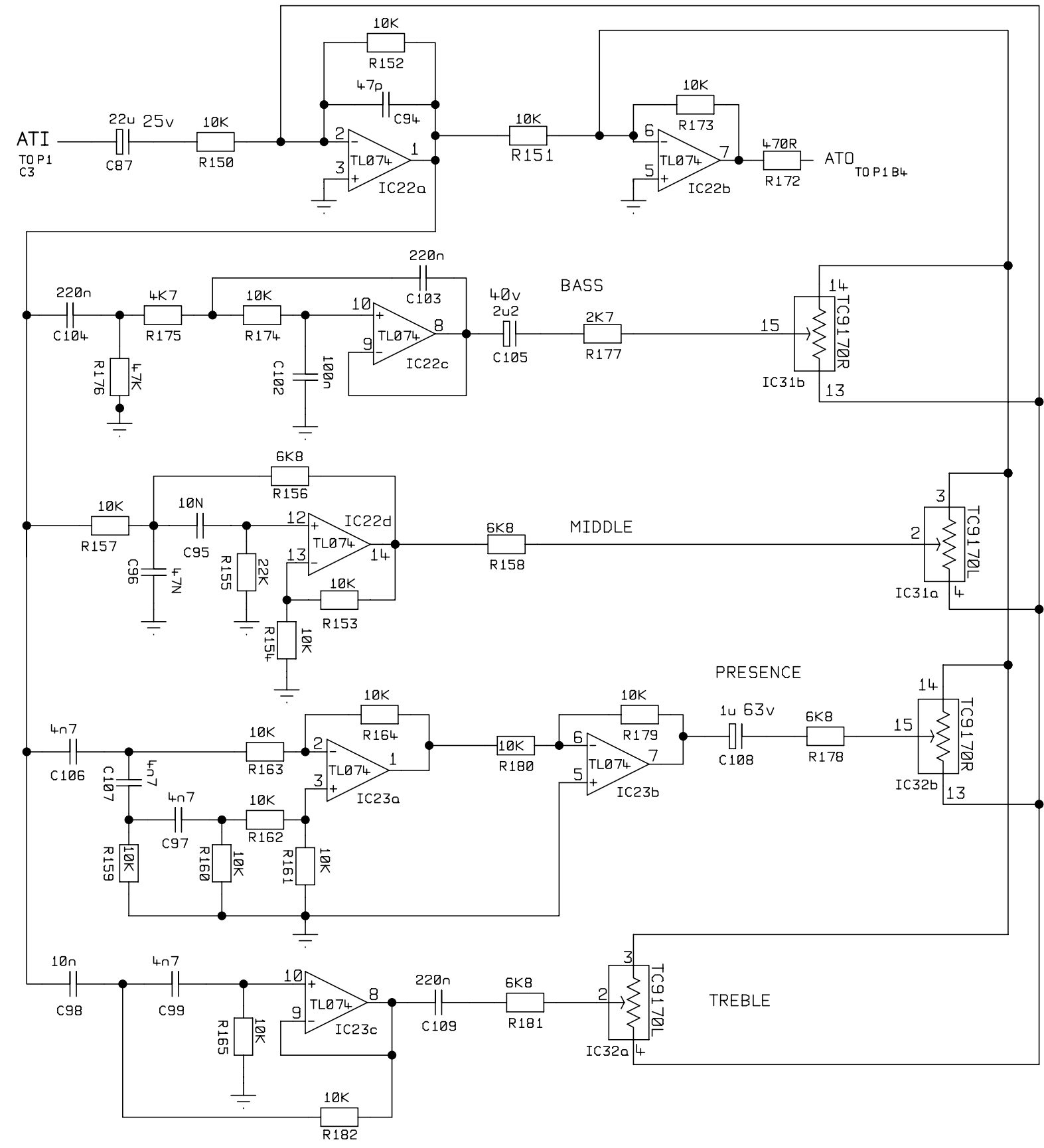
Peer JMP1_OUT.DGM

Peer JMP1_DIG.DGM

Peer JMP1_FP.DGM



TO P4 D5 = PAGE 4, GRID REFERENCE D 5



10	2036	21/12/01	A	H
9	1085	04/01/96	B	J
8	0829	14/11/95	C	K
7	0655	19/12/94	D	L
6	0656	09/06/94	E	M
5	0563	21/2/94	F	N
ISS	ECO NUMBER	DATE	G	P

UNSPECIFIED HOLE DATA				

MATERIAL	
MATERIAL THICKNESS	
INTERNAL BEND RADII	
EXTERNAL B/A	
BEND DIE	
DRAWN T,F	DATE 07/04/92
CHECKED	DATE
APPROVED	DATE

DIMENSIONS IN	
TOLERANCE (UNLESS OTHERWISE STATED)	
DIMENSIONAL	
CENTRES	
ANGULAR	
MODEL	
JMP 1	

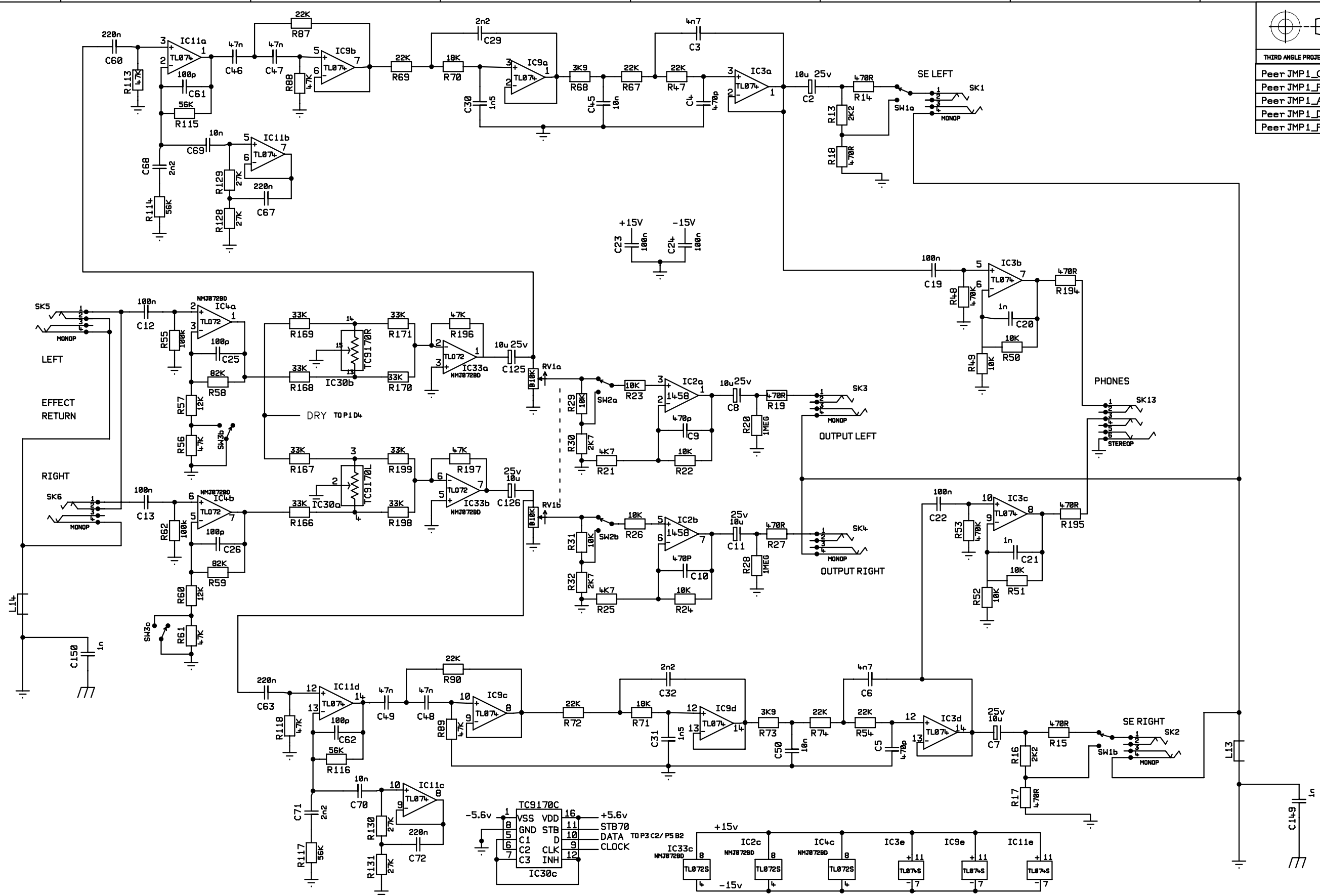
Marshall

COPYRIGHT EXISTS ON THIS DOCUMENT. IT MUST NOT BE USED FOR ANY PURPOSE THAN THAT FOR WHICH IT IS SUPPLIED AND MUST NOT BE COPIED (IN WHOLE OR IN PART) WITHOUT WRITTEN PERMISSION FROM

© JIM MARSHALL (PRODUCTS) LTD.
DENBIGH ROAD, BLETCHLEY, MILTON KEYNES, MK1 1DG.
TEL (0560)375111 FAX (0560)376118

TITLE	
ACTIVE TONE CCT	
3 OF 6	A3
DWG.No	ISSUE
JMP1-61-04	10

DWG.No. JMP1-61-04



THIRD ANGLE PROJECTION

Peer JMP1_CH.DGM
Peer JMP1_PS.DGM
Peer JMP1_AT.DGM
Peer JMP1_DIG.DGM
Peer JMP1_FP.DGM

10	2036	21/12/01	A
9	1085	04/01/96	B
8	0829	1/11/95	C
7	0655	20/12/94	D
6	0656	09/06/94	E
5	0563	21/2/94	F
ISS	ECO NUMBER	DATE	G

UNSPECIFIED HOLE DATA			

MATERIAL	DIMENSIONS IN
MATERIAL THICKNESS	TOLERANCE (UNLESS OTHERWISE STATED)
INTERNAL BEND RADII	DIMENSIONAL
EXTERNAL B/A	CENTRES
BEND DIE	ANGULAR
DRAWN T.F	DATE 07/04/92
CHECKED	DATE
APPROVED	DATE

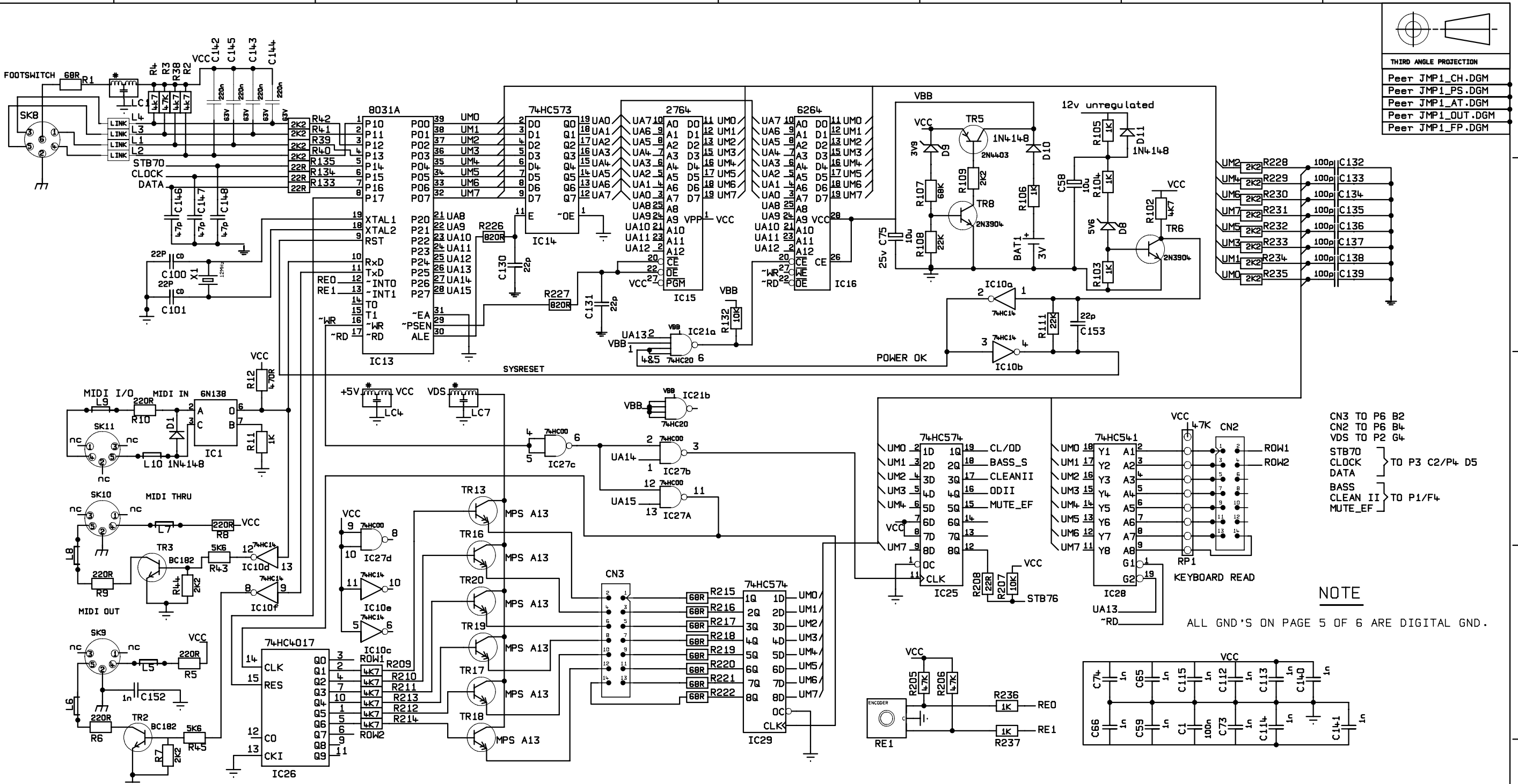
Marshall

COPYRIGHT EXISTS ON THIS DOCUMENT. IT MUST NOT BE USED FOR ANY PURPOSE THAN THAT FOR WHICH IT IS SUPPLIED AND MUST NOT BE COPIED (IN WHOLE OR IN PART) WITHOUT WRITTEN PERMISSION FROM

© JIM MARSHALL (PRODUCTS) LTD.
DENBIGH ROAD, BLETCHLEY, MILTON KEYNES, MK1 1DG.
TEL (0595) 375411 FAX (0595) 376118

TITLE	OUTPUT CCT
4 OF 6	A2
DWG.No	JMP1-61-04
ISSUE	10

DWG.No. JMP1-61-04



THIRD ANGLE PROJECTION

Peer JMP1_CH.DGM
Peer JMP1_PS.DGM
Peer JMP1_AT.DGM
Peer JMP1_OUT.DGM
Peer JMP1_FP.DGM

CN3 TO P6 B2
CN2 TO P6 B4
VDS TO P2 G4
STB70
CLOCK } TO P3 C2/P4 D5
DATA
BASS
CLEAN II } TO P1/F4
MUTE_EF

NOTE
ALL GND'S ON PAGE 5 OF 6 ARE DIGITAL GND.

CAUTION: Danger of explosion if battery is incorrectly replaced. Replace only with the same or equivalent type recommended by the equipment manufacturer. Discard used batteries according to manufacturer's instructions.

ADVERSEL: Lithiumbatteri- Eksplosjonsfare. Ved utskifting benyttes kun batteri som anbefalt av apparatfabrikanten. Brukt batteri returneres apparatleverandøren.

VAROITUS: Paristo voi räjähtää, jos se on virheellisesti asennettu. Vaihda paristo alnoastaan laitevalmistajan suosittelemaan tyyppiin. Hävitä käytetty paristo valmistajan ohjeiden mukaisesti.

WARNING: Explosionsfara vid felaktigt batteribyte. Använd samma batterityp eller en ekvivalent typ som rekommenderas av apparattillverkaren. Kassera anvant batteri enligt fabrikantens instruktion.

ADVARSEL: Lithiumbatteri- Explosionsfare ved fejlagtig håndtering. Udsiftning må kun ske med batteri af samme fabrikat og type. Lever det brugte batteri tilbage til leverandøren.

UNSPECIFIED HOLE DATA				MATERIAL		DIMENSIONS IN		TITLE	
NO	SIZE	DATE	DESIGN	H	J	TOLERANCE (UNLESS OTHERWISE STATED)	DIMENSIONAL	DIGITAL CCT	
10	2036	21/12/01	A					5 OF 6	
9	1085	04/01/96	B					A2	
8	0829	14/11/95	C					JMP1	
7	0655	20/12/94	D					DRAWN D.M.S DATE 07/04/92	
6	0656	09/06/94	E					CHECKED DATE	
5	0563	21/2/94	F					APPROVED DATE	
ISS	ECO NUMBER	DATE	G					COPYRIGHT EXISTS ON THIS DOCUMENT. IT MUST NOT BE USED FOR ANY PURPOSE OTHER THAN THAT FOR WHICH IT IS SUPPLIED AND MUST NOT BE REPRODUCED OR IN PART) WITHOUT WRITTEN PERMISSION FROM © JIM MARSHALL (PRODUCTS) LTD. DENBIGH ROAD, BLETCHLEY, MILTON KEYNES, MK1 1DB. TEL (0506)375411 FAX (0506)376118	

DWG.No. JMP1-61-04

THIRD ANGLE PROJECTION

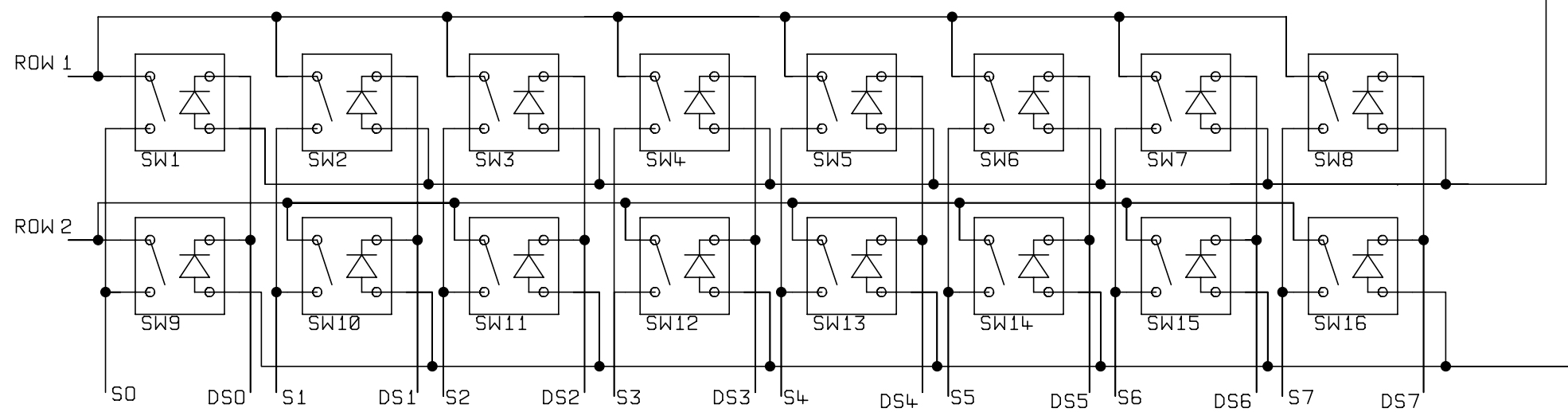
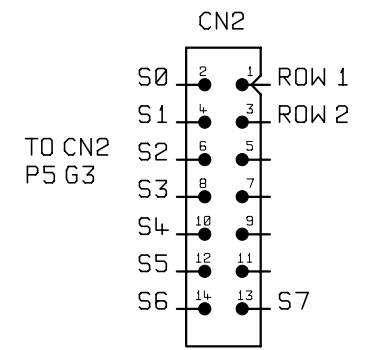
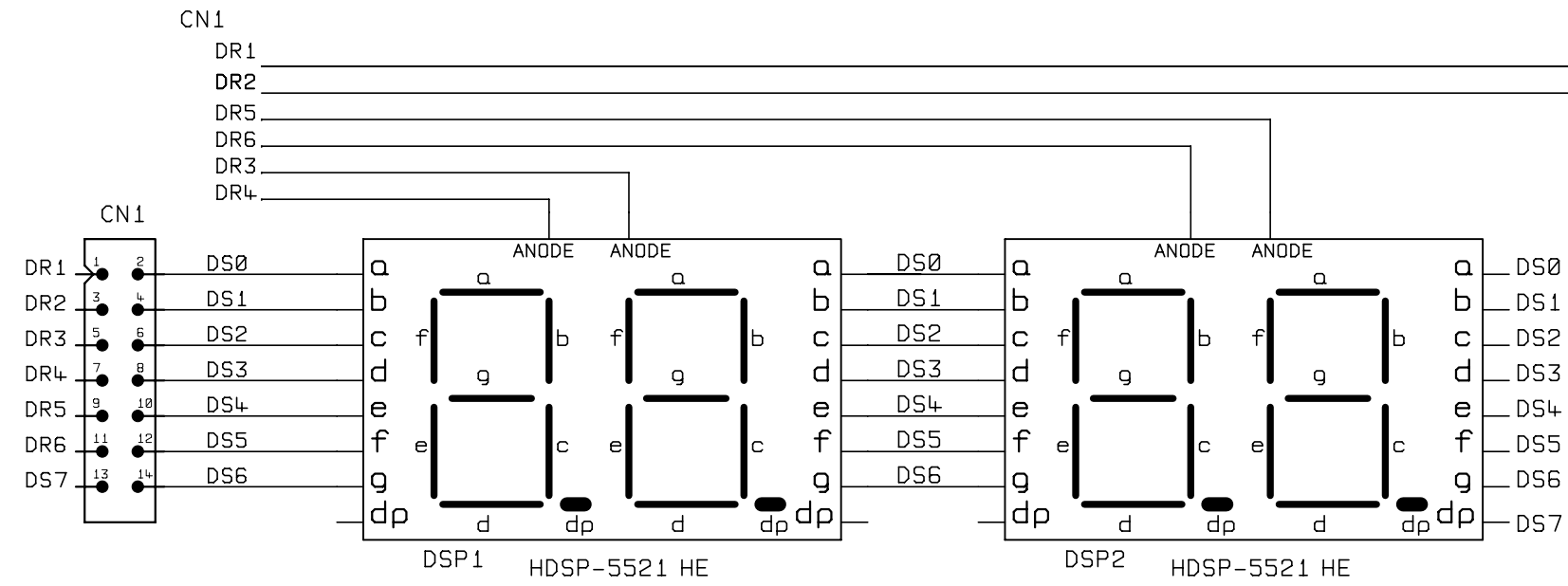
Peer JMP1_CH.DGM

Peer JMP1_PS.DGM

Peer JMP1_AT.DGM

Peer JMP1_OUT.DGM

Peer JMP1_DIG.DGM



TO CN3 P5 D4 = CN3 ON PAGE 5 GRID REFERENCE D 4

UNSPECIFIED HOLE DATA				MATERIAL		DIMENSIONS IN		TITLE	
10	2036	21/12/01	A	H	MATERIAL THICKNESS	TOLERANCE (UNLESS OTHERWISE STATED)	COPYRIGHT EXISTS ON THIS DOCUMENT. IT MUST NOT BE USED FOR ANY PURPOSE THAN THAT FOR WHICH IT IS SUPPLIED AND MUST NOT BE COPIED OR IN PART) WITHOUT WRITTEN PERMISSION FROM (IN WHOLE)		
9	1085	04/01/96	B	J	INTERNAL BEND RADII	DIMENSIONAL			
8	0829	14/11/95	C	K	EXTERNAL B/A	CENTRES			
7	0655	20/12/94	D	L	BEND DIE	ANGULAR	6 OF 6		
6	0656	09/06/94	E	M	DRAWN T,F	DATE 09/04/92	A3		
5	0563	21/2/94	F	N	CHECKED	DATE	ISSUE		
ISS	ECO NUMBER	DATE	G	P	APPROVED	DATE	10		

JMP 1

© JIM MARSHALL (PRODUCTS) LTD.
 DENBIGH ROAD, BLETCHLEY, MILTON KEYNES, MK1 1DQ.
 TEL (0560)375111 FAX (0560)376110

DWG.No
JMP1-61-04