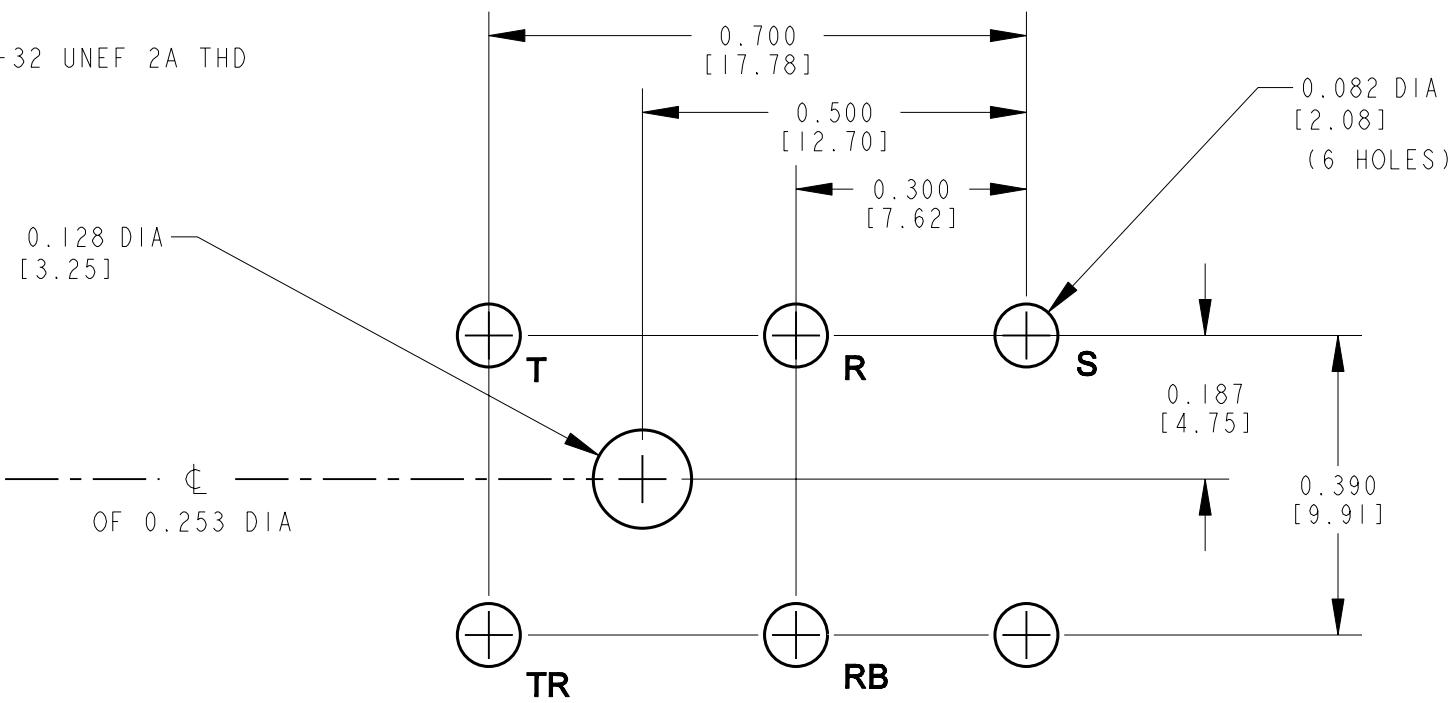
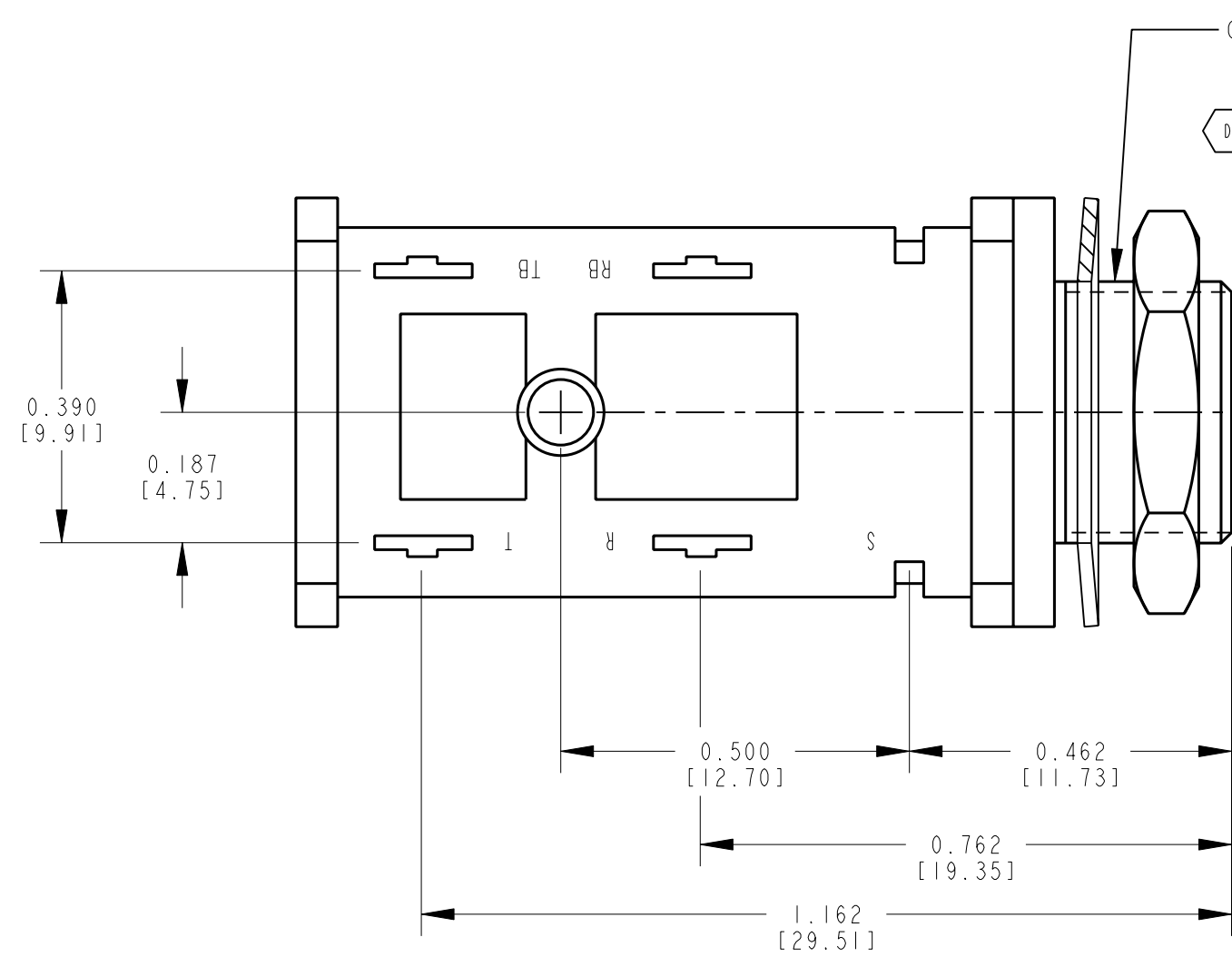


**MATERIAL SPECIFICATIONS**

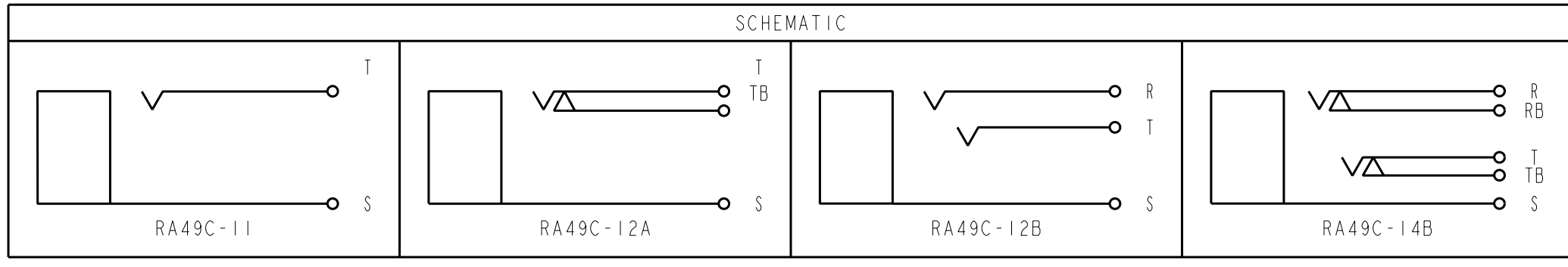
HOUSING: BLACK THERMOPLASTIC POLYESTER, 94V0  
CONTACT SPRINGS: TIN PLATED SPRING TEMP. NICKEL SILVER.  
HARDWARE: NICKEL PLATED BRASS.  
METAL BUSHING: NICKEL PLATED BRASS  
SLEEVE SPRING: TINNED PHOS. BRONZE.



PCB HOLE PATTERN  
COMPONENT SIDE

CUSTOMER DRAWING

CAD/CAM DWG. NO.  
s.ra49c\_cd  
SHEET 1 OF 1



ECO #19930				8-17-95	DA	TAO	STAR SYMBOL DENOTES CRITICAL DIMENSION. SEE S/C ENGINEERING STANDARD ES-0001				THIS DRAWING DESCRIBES A DESIGN CONSIDERED PROPRIETARY IN NATURE, DEVELOPED AND MANUFACTURED BY SWITCHCRAFT INC. AND IS RELEASED ON A CONFIDENTIAL BASIS FOR IDENTIFICATION PURPOSE ONLY.				
ECO #19704				3-24-95	RC	GHJ	UNLESS OTHERWISE SPECIFIED				SIZE	WIDTH	MULT	LBS./M	TEMPER
ECO #15763				2-16-90	LR	VL	1. ALL DIMENSIONS IN INCHES				FINISH		MATERIAL		
ECO 15105				10-12-89	TW	VL	2. DECIMAL DIMENSIONS ±.005				SPEC. NO.		SPEC. NO.		
RELEASED TO PROD				4-21-89	RLD	AS	3. FRACTIONAL DIMENSIONS ±1/64				FIRST USED ON		SCALE		
PRELIM CUST DWG				4-15-88	RLD		4. ANGLES ±1/2°				DATE DRAWN	BY	CHK'D	APP'D	
ISSUE				CHANGE NO.	DATE	BY	APP'D	5. ALL DIA'S CONCENTRIC WITHIN .005 T.I.R.				4-15-88	RLD	VL	AS
								6. REMOVE ALL BURRS				SCALE		1 = 0.25	
								7. MAKE NO DIMENSIONAL ALLOWANCES FOR APPLIED FINISHES, I.E., PLATING, PAINTING, ETC.				DATE DRAWN		SCALE	
								8. HOLES ON THE SAME CENTERLINE MUST BE ALIGNED WITHIN ±.002				4-15-88		5-2-89	
REVISIONS										DO NOT SCALE DRAWING					
										NAME JACK ASSEMBLY (METAL BUSHING)					
										PART NO. RA49C-SER F					
										ISSUE F					

