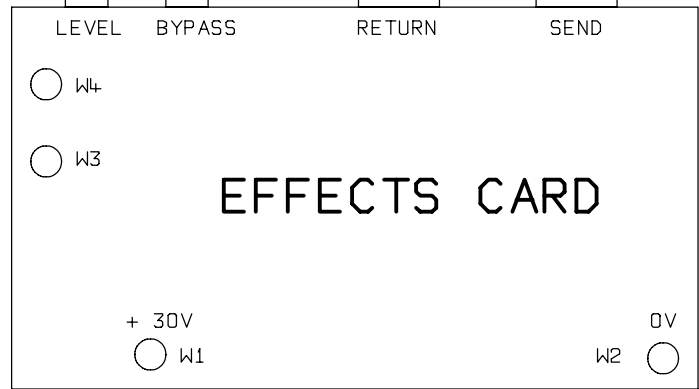
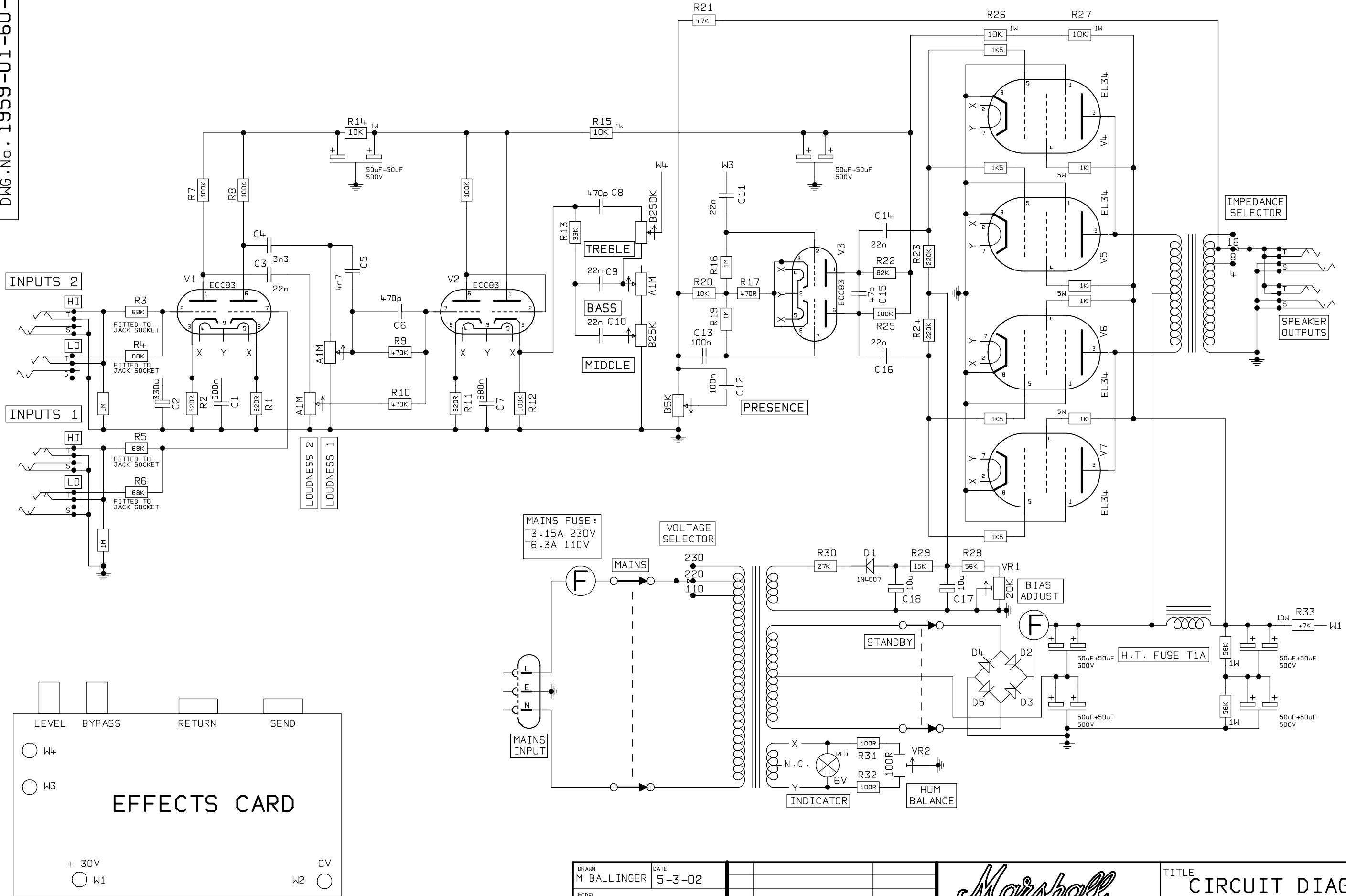


DWG.No . 1959-01-60-02



DRAWN M BALLINGER	DATE 5-3-02
MODEL 1959SLP-01	ISS 2
ECO NUMBER 2100	DATE 28-3-02



TITLE CIRCUIT DIAG.	ISS 2
DWG.No 1959-01-60-02	