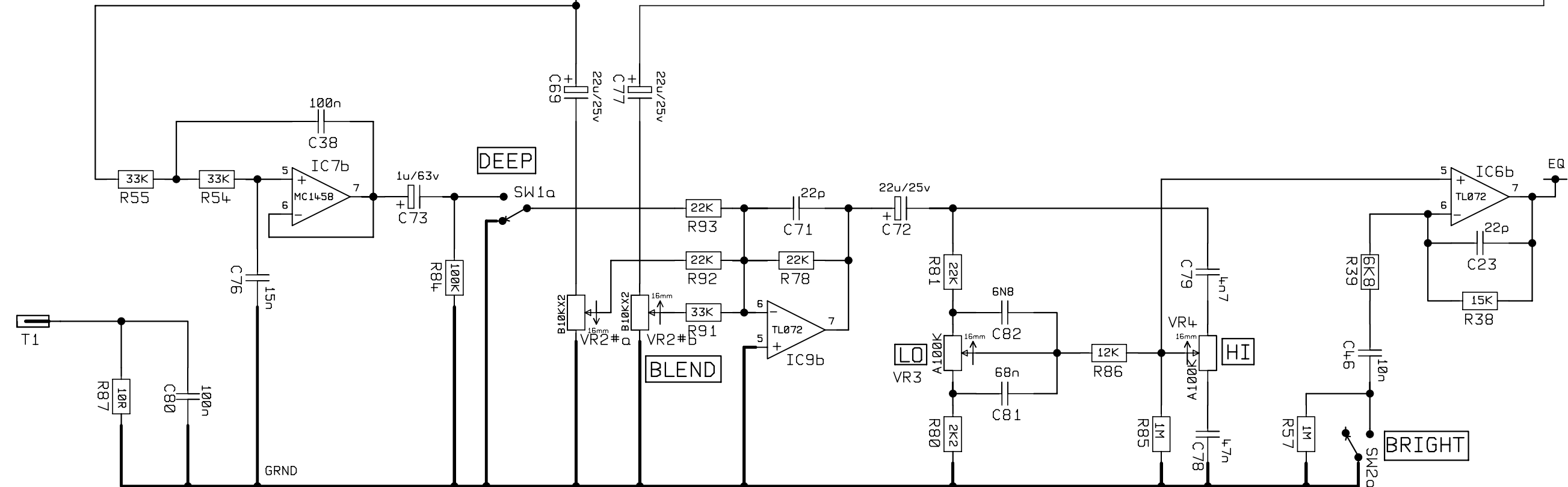
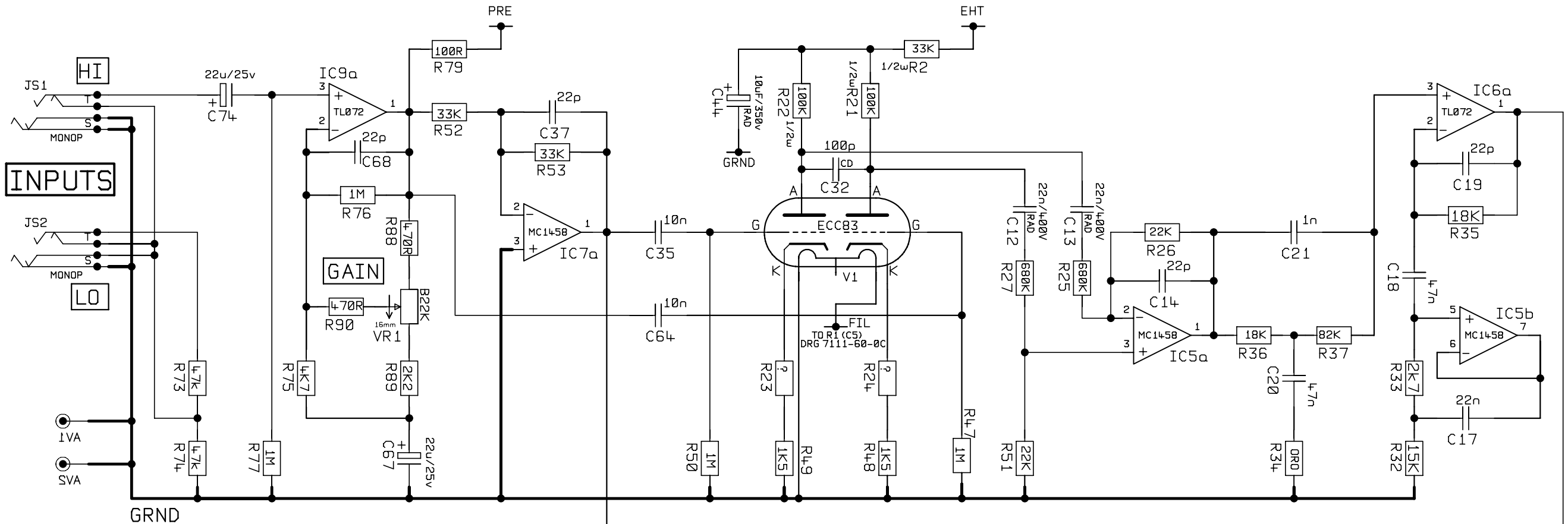


DWG.No. 7111-60-0A



R23,R24 TO BE FITTED WITH A LINK
 ALL RESISTORS 1/4w UNLESS STATED.
 SWITCHES ARE SHOWN IN THE OFF POS*N (OUT)
 TO R1 (C5) = TO RESISTOR 1 GRID REF C5 DRG 7111-60-0C

		ALL OTHER HOLES =				X = (THROUGH PLATED)				MATERIAL		DIMENSIONS IN		TITLE	
		A	B	C	D	J	K	L	M	N	P	Q	R	TOLERANCE (UNLESS OTHERWISE STATED)	
2	0768	07/11/94													
1	MANUFACTURE RELEASE	18/08/94													
ISS	ECO NUMBER	DATE													



TITLE
 CCT DIAGRAM (PRE-AMP)
 DWG.No 7111-60-0A
 ISS 2